

# Revolution Digester Cypress®

BioHiTech America, A Renovare Environmental Company

## Capacity & Dimensions

24-hour Capacity	up to 825 lb	up to 374 kg
Width	52"	132 cm
Height	37"	93 cm
Depth	34"	85 cm
Weight	750 lbs	340 kg

## Utility Usage

Water Consumption	35-65 gallons (132-246 l) / day
Power Consumption	75-160 kilowatt hours / month
Effluent Discharge	70-110 gal (265-416 l) / day

## Utility Connections

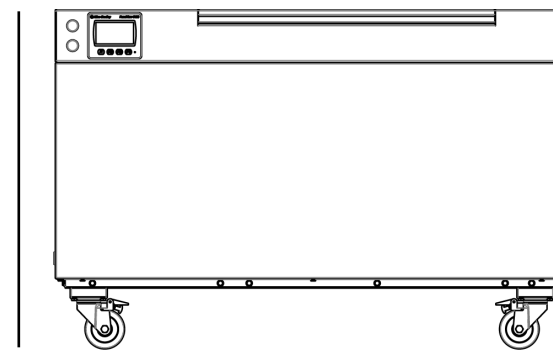
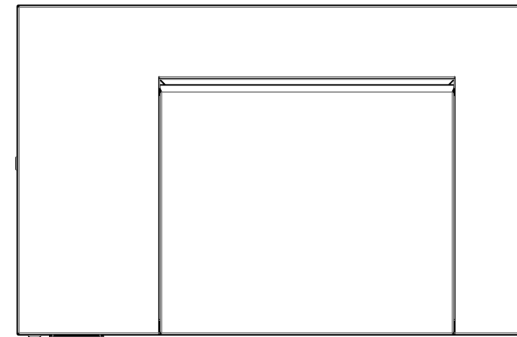
- 1 Water, Power, Ethernet Port, Cable for Data Access
- 2 Effluent (to sewer line) - 2" OD, 1.5" NPT ID

## Utility Requirements

Power	United States: 15 Amp, 115V AC [1] International: 220V/50Hz or 220V/60Hz AC [2]
Water	Warm water 90°-110° F (32°-43° C) Water pressure 50 - 80 PSI (3.5 - 5.5 bars)

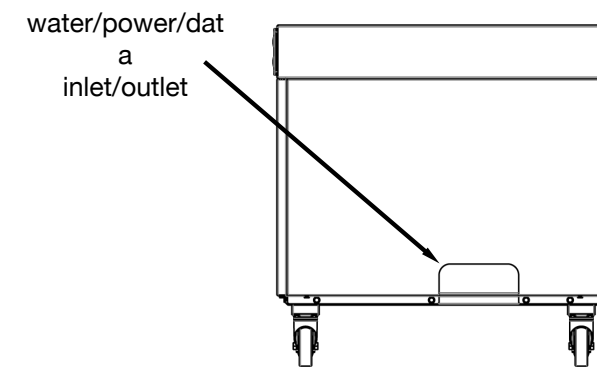
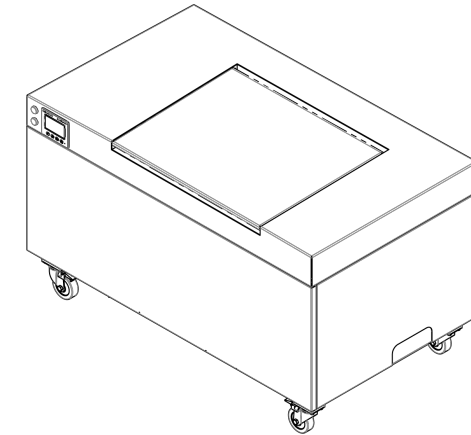
[1] Requires a non-GFI (Ground Fault Interrupter) outlet with a 15 Amp (minimum) breaker and consistent voltage.

[2] Access to 187V to 240V AC Power Outlet at 50/60Hz (plug type will be sourced locally and may vary by country). Access to 16 Amp wall-mounted socket with isolator backed up with a 16 amp type d rated breaker (motor and inverter rated). The outlet should be a non-GFI (Ground Fault Interrupter) outlet. GFI outlets are not supported at this time. Integrity of power source is vital. Incoming power must supply consistent voltage.



37" / 93 cm

52" / 132 cm



water/power/data  
inlet/outlet

34" / 85 cm



**renovare**  
environmental

80 Red Schoolhouse Road, Suite 101, Chestnut Ridge, NY 10977 • 888-876-9300



**renovareenv.com**