

Capacity & Dimensions

24-hour Capacity	up to 1400 lb (636 kg)	
Width	72"	1829 mm
Height	36.5"	927 mm
Depth	33.5"	851 mm
Weight	900 lbs	408 kg

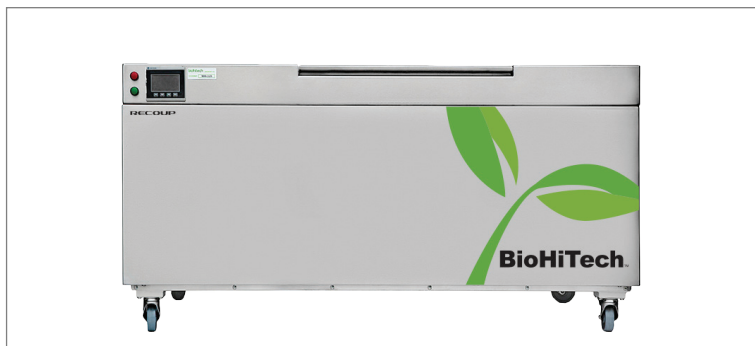
Utility Usage

Water Consumption	about 45-75 gallons (170-288 l.) / day	
Power Consumption	about 75-150 kilowatt hours / month	
Effluent Discharge	about 75-138 gal (288-475 l.) / day	

Utility Connections

- 1 Incoming Water, Power, Data
- 2 Effluent (to sewer line) - 2" OD, 1.5" NPT ID

Utility Requirements (by customer): Inlet Water - 90-110 degree F, 50-80 psi / Discharge - gravity flow or pump (optional) / Ethernet cable for Data Access (our Blue Cloud) / Power - 115 VC, 50 Hz or 110 VAC, 60 Hz

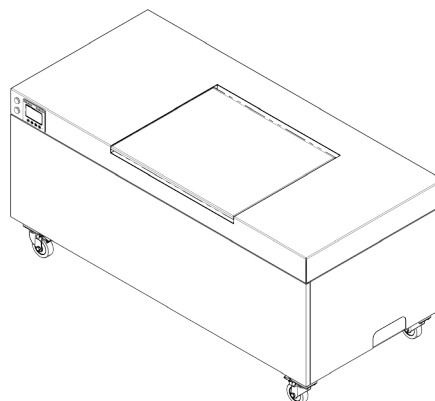
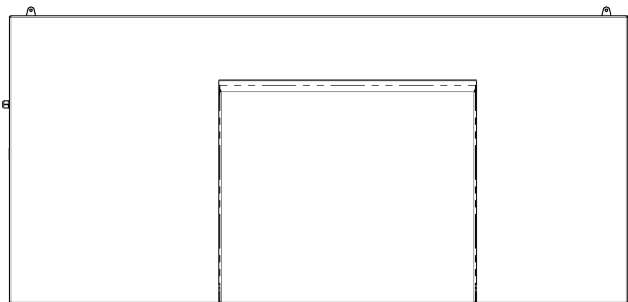


- Low profile, countertop work surface for optimal use of space
- Designed for medium to large volume food waste generators
- Can process up to **1400 lbs (634 kg)** of food waste per day
- Comes equipped with our cloud-based technology solution to reduce food waste generation

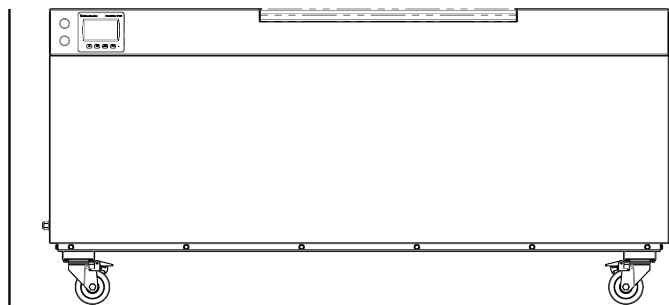


Reduce Food Waste with Data Analytics

Accurate real-time information eliminates the uncertainty about where food waste occurs, how much is being wasted and its associated value. Our Blue Cloud waste tracking technologies forecasts accurate supply chain and inventory needs, standardizes best practices for production, improves future planning for the prevention of waste, and tracks your carbon footprint and credits.

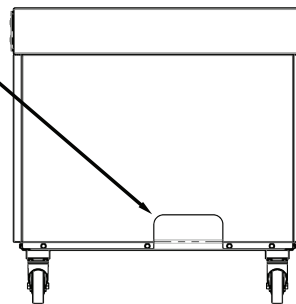


36.5" / 927 mm



72" / 1829 mm

water/power/data inlet/outlet



33.5" / 851 mm

